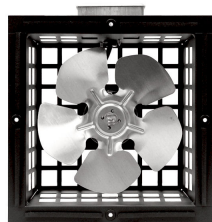
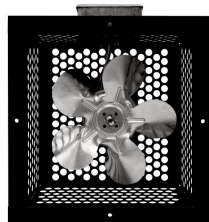


# ELEVATOR CAB AC AND DC EXHAUST FANS



SSF3, SSFE,  
TSF1, TSFE



SSF3C  
TSF1C



SSF3R, TSFE1420  
TSFE1421 TSFE1424



SSF4C



PP/SSF4DC  
PP/SSF4DC-1

## Square Fans

Model	Speed	Voltage	Current A	Speed RPM	AirFlow CFM*	Noise dB/A	Cage Opening	Cage Dimensions
SSF4C	1	12VDC	2.5	2520	300	57	10" Square	12" Square x 4.25"H
SSF3	1	115VAC, 60Hz	0.54	1430	380	51	10" Square	12" Square x 4.25"H
SSF3C**	1	115VAC, 60Hz	0.52	1510	380	52	10" Square	12" Square x 4.25"H
SSFE	1	220VAC, 60Hz	0.26	1540	370	52	10" Square	12" Square x 4.25"H
TSF1	2	115VAC, 60Hz	0.44/0.68	1350/1550	300/345	51/55	10" Square	12" Square x 4.25"H
TSF1C**	2	115VAC, 60Hz	0.42/0.68	1380/1570	300/345	52/56	10" Square	12" Square x 4.25"H
TSFE	2	220VAC, 60Hz	0.13/0.16	1050/1420	290/325	46/53	10" Square	12" Square x 4.25"H

\* Approximate CFM values. Noise is measured at the distance of one (1) meter from the axis of intake with no static pressure.

\*\* 7/16" Dia. cage holes to comply with California code.

Lip is 1" wide with four (4) mounting holes 1/4" Dia., 11" center to center.

## Round Fans

Model	Speed	Voltage	Current A	Speed RPM	AirFlow CFM*	Noise dB/A	Cage Opening	Cage Dimensions
SSF3R	1	115VAC, 60Hz	0.52	1525	380	51	12" Round	14" Dia. x 4.5"H
TSFE1421	2	115VAC, 60Hz	0.41/0.66	1410/1580	290/325	54/57	10" Round	12" Dia. x 4.5"H
TSFE1424	2	115VAC, 60Hz	0.4/0.65	1520/1620	290/325	52/54	12" Round	14" Dia. x 3.5"H
TSFE1420	2	115VAC, 60Hz	0.39/0.65	1530/1630	290/325	52/54	12" Round	14" Dia. x 4.5"H

\* Approximate CFM values. Noise is measured at the distance of one (1) meter from the axis of intake with no static pressure.

Lip is 1" wide with four (4) mounting holes 1/4" Dia., 13" center to center, 11" center to center for TSFE1421.

## AC Fans

Engineered for maximum air distribution and quietness, our fans are totally enclosed, pre-lubricated, and easy to install. Aluminum five-blade impeller with low rpm motor makes exhaust fans long lasting, quiet and dependable. All motors are continuous duty, thermally protected, and equipped with ground wire to comply with NEC code. Available with 115VAC 50/60Hz or 220VAC 50/60Hz, single or two speed motor. The fan cages made from 16-gauge steel. Square fan cages - black powder coated. Round fan cages are galvanized. Additional cage materials are available.

## DC Fans

Ideal for use in glass elevators exposed to direct sunlight. Our exhaust fans with emergency power source designed to exceed the minimum ANSI A17.1-1989 Section 204.2C requirement of one hour. Power supply operates of 115VAC 50/60Hz or 220VAC 50/60Hz, motor — 12VDC. Solid state charging system constantly maintains SLA battery charge. In the event of a power failure, the power supply will restore the charge at the rate of eight hours for every four hours of discharge. Bulb type thermostat operates the fan when elevator temperature reaches 80°F and shuts off when decreases to 75°F, allowing greater period for emergency operation.

The fan cages made from 16-gauge steel and black powder coated. Five-blade impeller made from polypropylene.

NOTE: Not intended as primary ventilation.

## DC Fan Emergency System

### Model SSF4DC

DC fan with power supply includes:

- 12VDC fan **Model SSF4C**
- Power supply 120VAC/12VDC **Model PP/SSF4DC**, or
- Power supply 220VAC/12VDC **Model PP/SSF4DC-1**

## Square Fan, 12VDC

### Model SSF4C

- No power supply included
- 12VDC motor, 300 CFM free air
- Cage dimensions 12" x 12" x 4-1/4"
- Cage opening 10" x 10"
- Lip 1" wide with four (4) mounting holes 1/4" Dia., 11" center to center

## DC Fan Power Supply

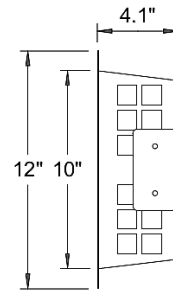
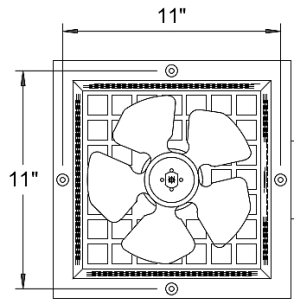
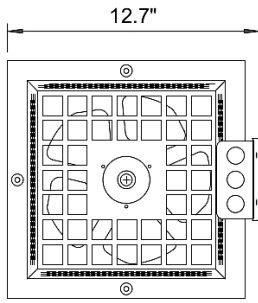
### Model PP/SSF4DC

- 120VAC/12VDC
- 220VAC/12VDC
- Four hour power supply
- Charging indicator light, test switch
- Thermostat control
- Mounting: horizontal or vertical
- Dimensions 12" x 12" x 6"

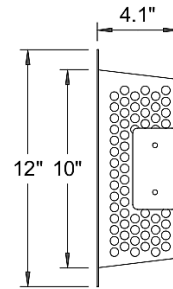
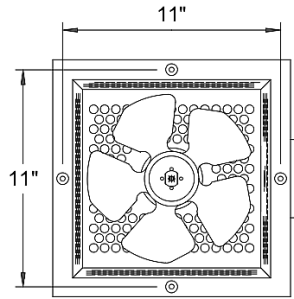
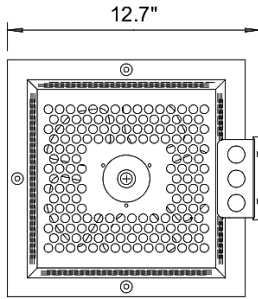
## Fan Replacement Parts

- 21FN001** • Single speed motor for 120VAC fan
- 21FN002** • Two speed motor for 120VAC fan
- A01FN002** • Single speed suction blade for 120VAC fan
- A01FN001** • Two speed suction blade for 120VAC fan
- A01FN003** • Suction blade for 12VDC fan

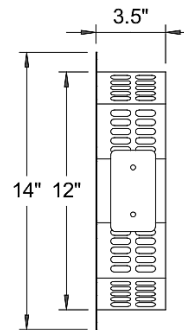
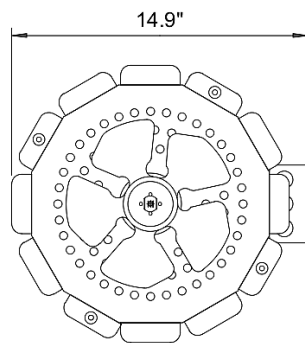
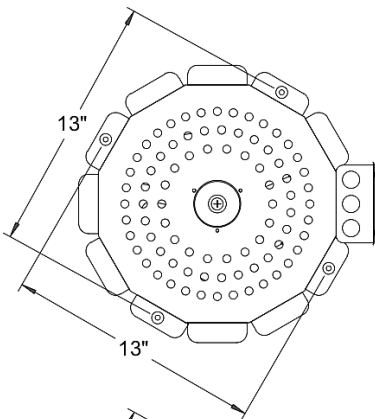
**QUALITY  
ELEVATOR  
PRODUCTS, INC.**



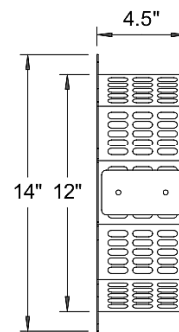
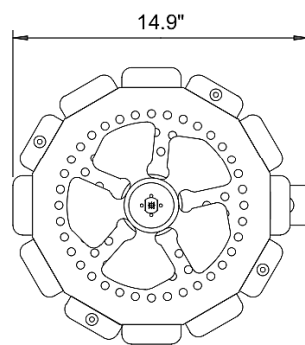
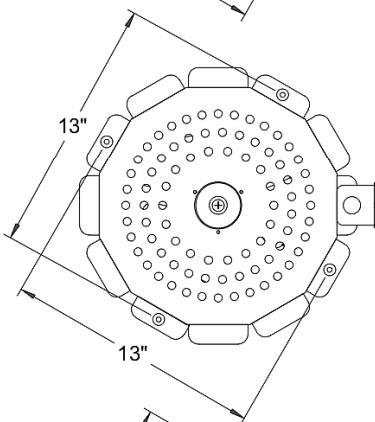
**Model SSF3**  
**Model SSFE**  
**Model TSF1**  
**Model TSFE**  
**Model SSF4C**



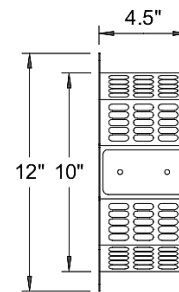
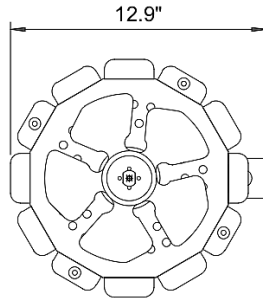
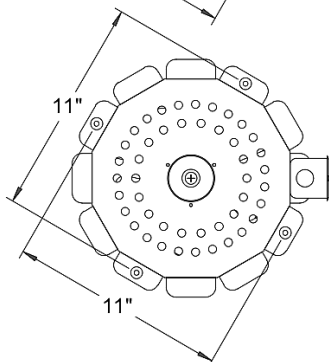
**Model SSF3C**  
**Model TSF1C**



**Model TSFE1424**



**Model SSF3R**  
**Model TSFE1420**



**Model TSFE1421**

Front rubber cushions not shown.