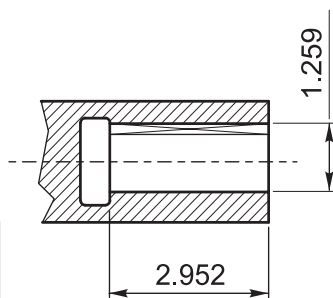
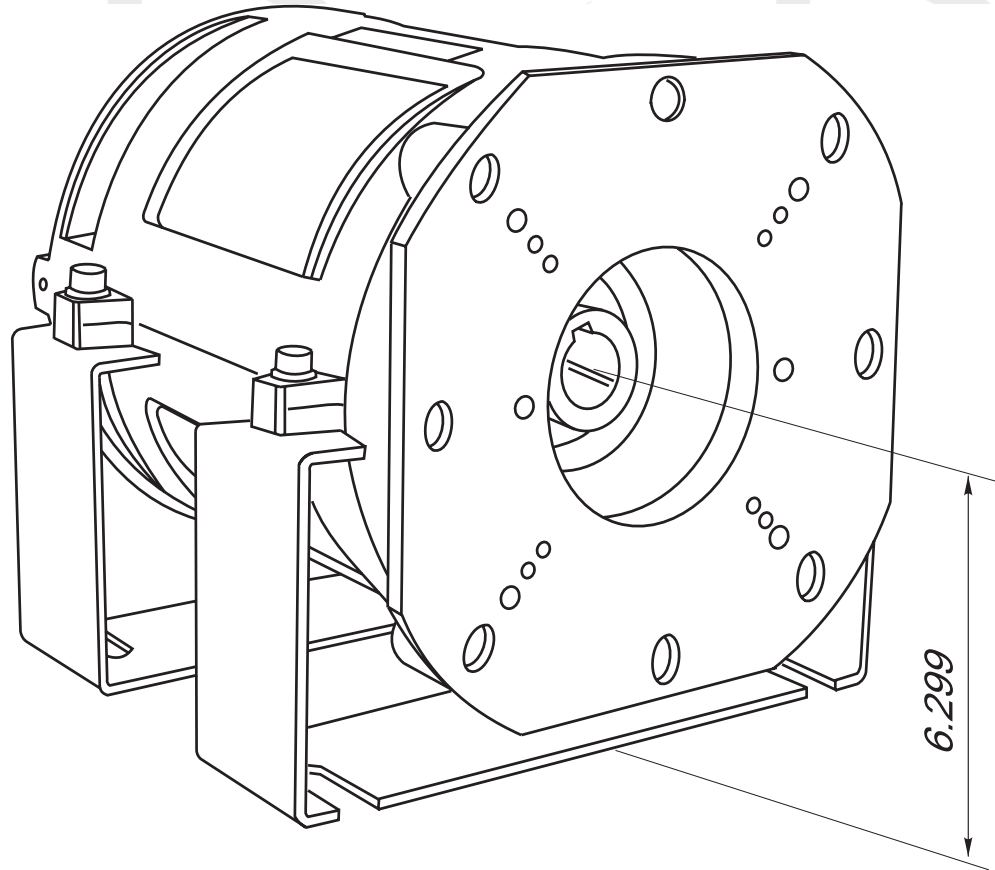
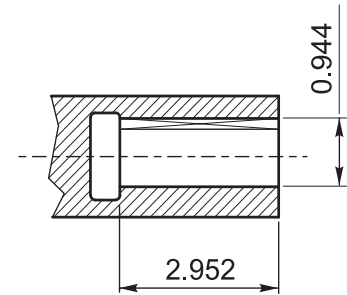
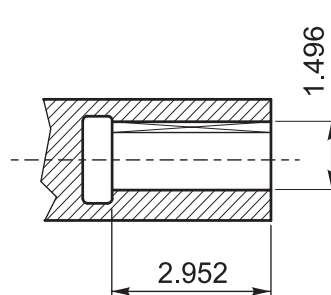
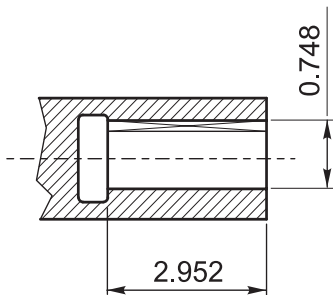


US MOTOR SHAFT DETAIL



Typical North America application for pump :
IMO, ALLWEILER AND SEIM



Available another diameters application for pump :