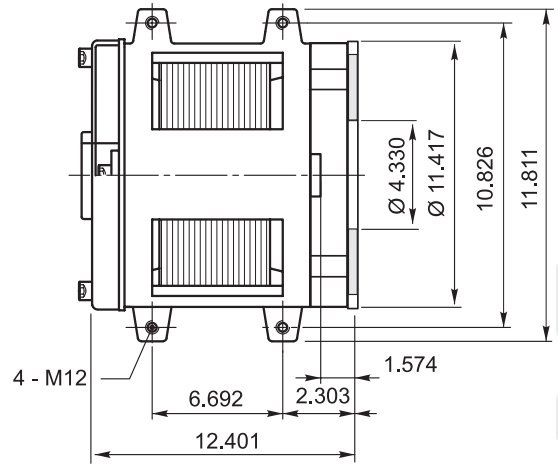
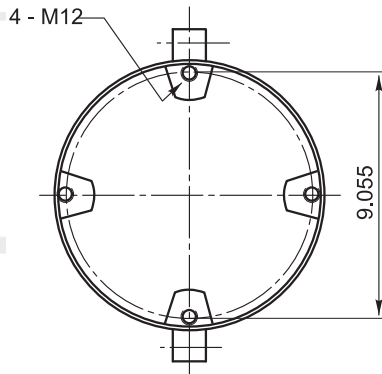
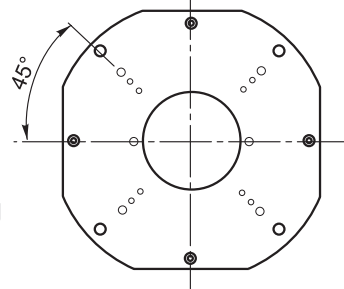


US MOTOR HP 15 TO HP 40

ANICA
ASSOCIATO



FROM TO Hp 15 ÷ Hp 40



FLANGE

